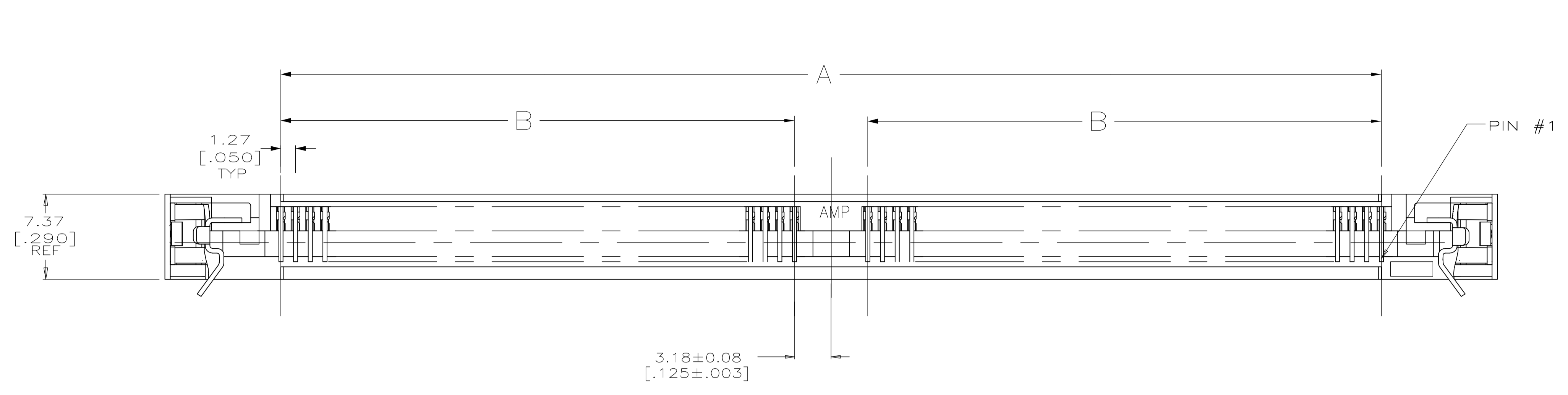
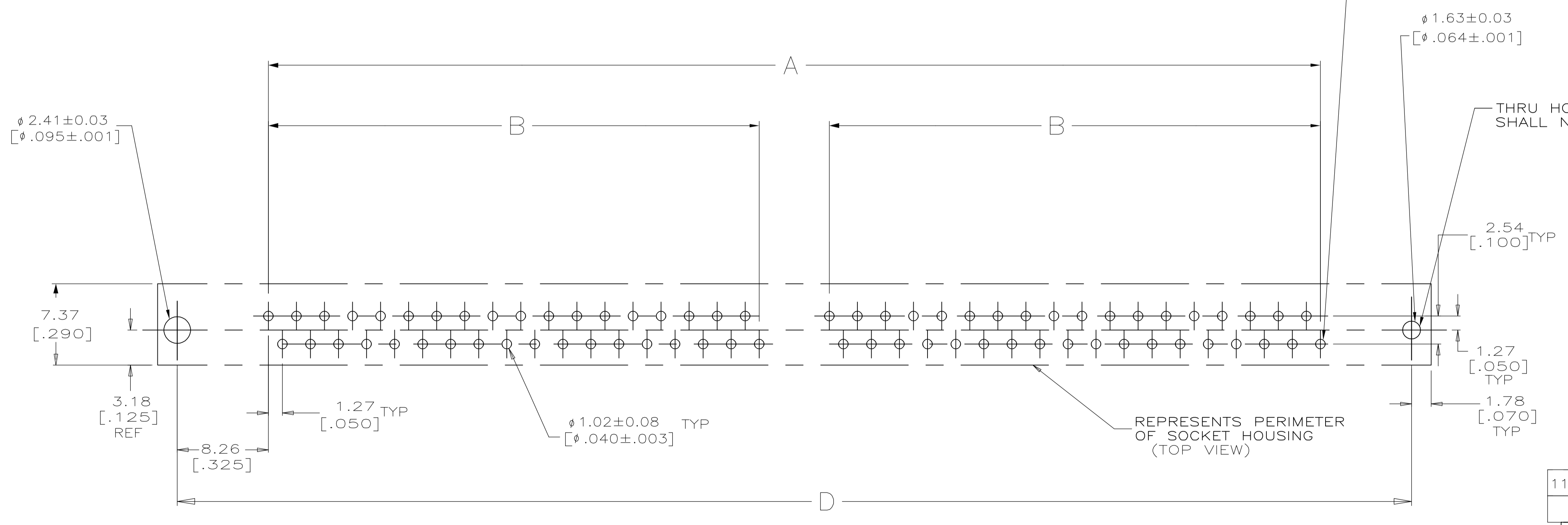
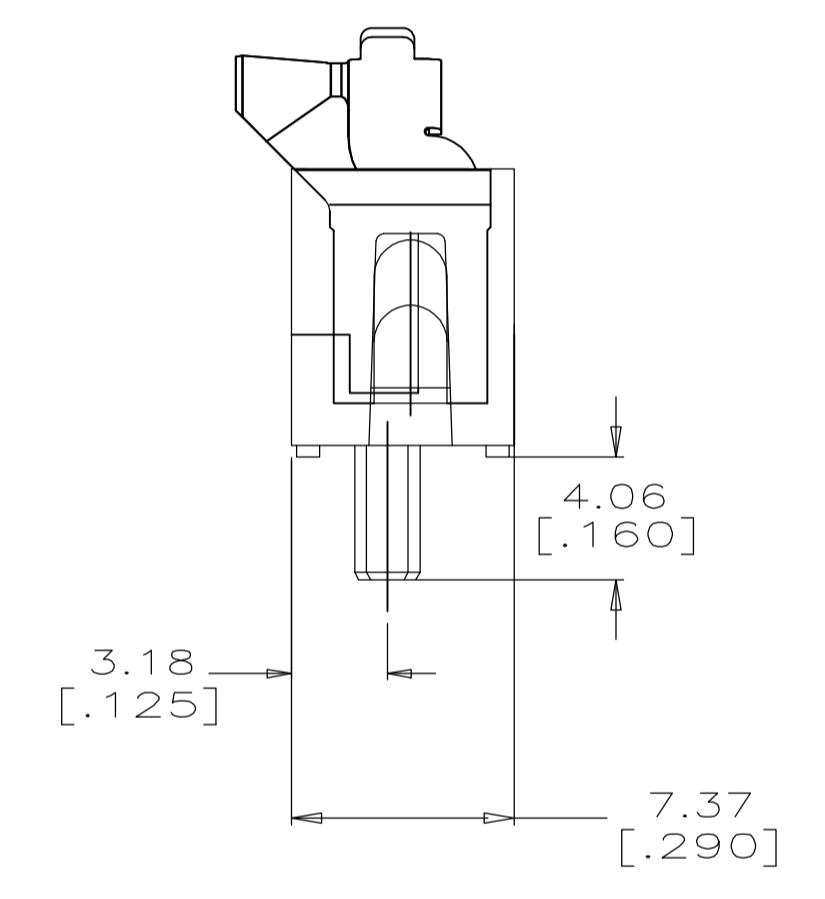
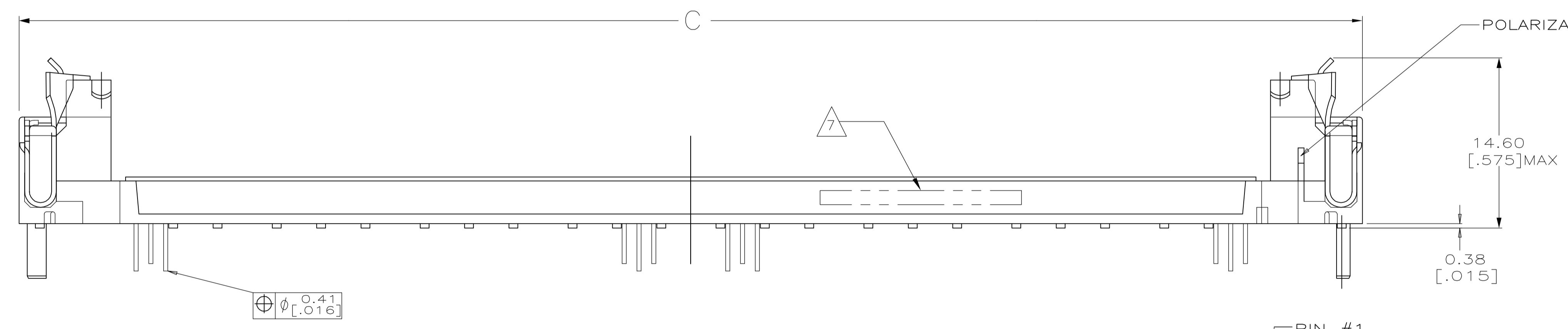


LOC	DIST	REVISIONS			
AG	53	REVISED PER ECO-06-002423	DATE	DWN	APVD
			08JUN06	JDP	MDB

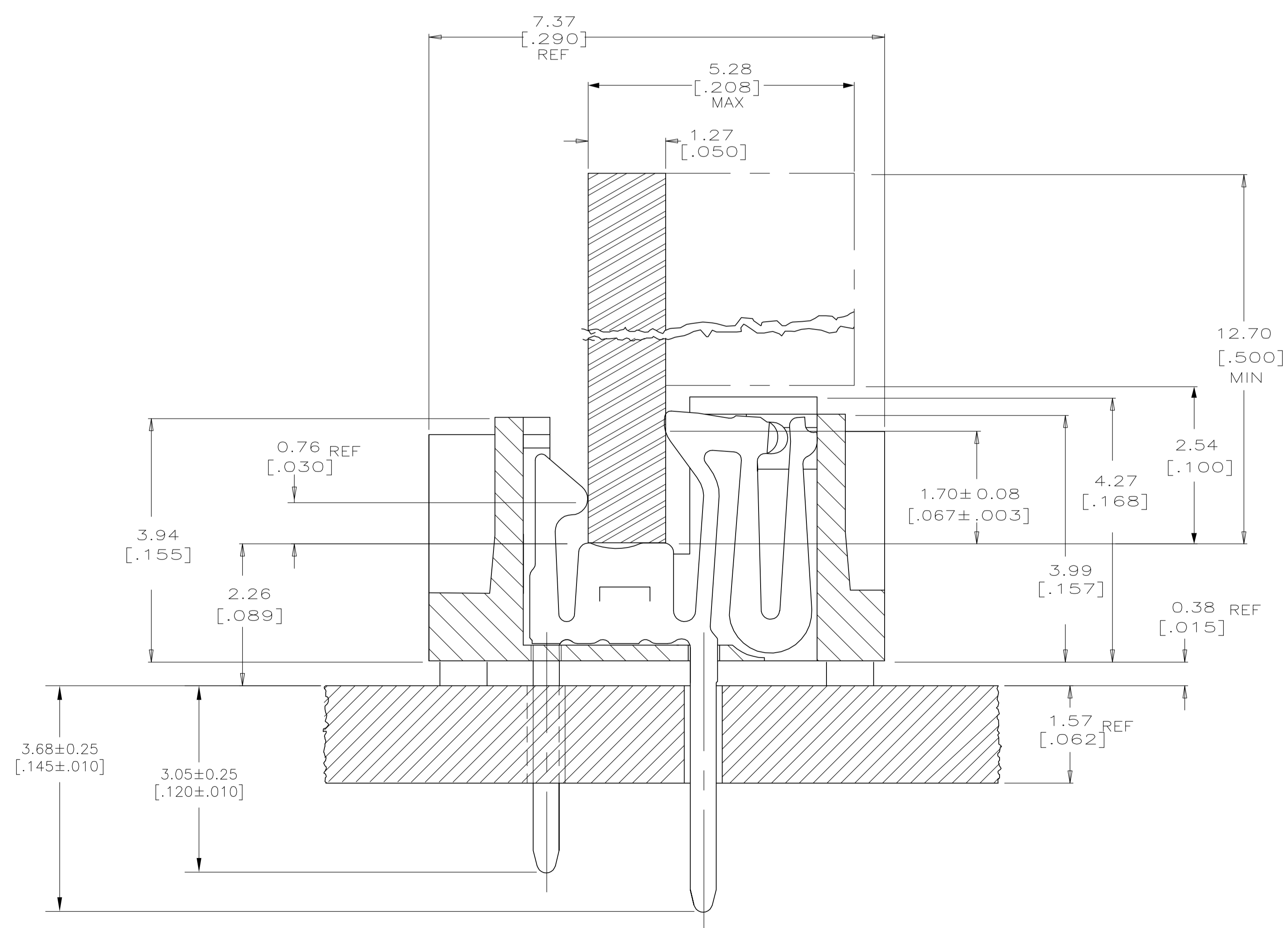
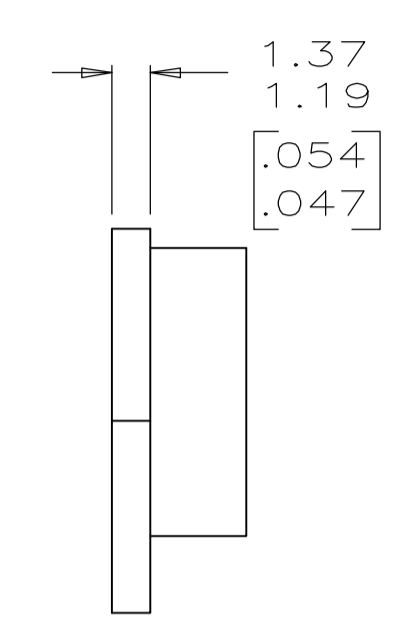
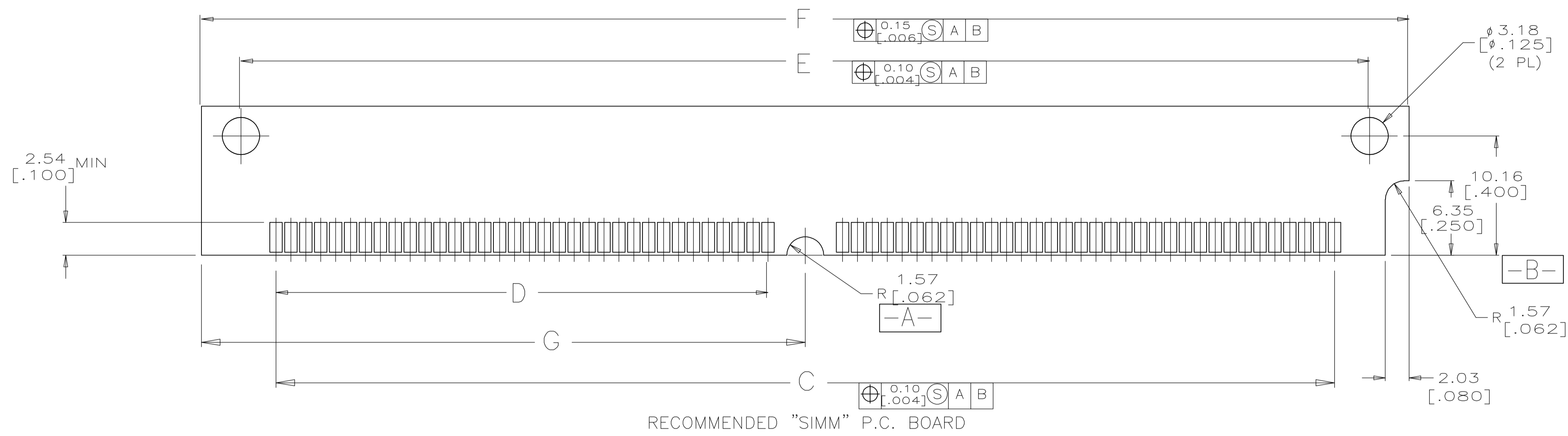


- 1 HOUSING-MATERIAL: LIQUID-CRYSTAL-POLYMER.
- 2 CONTACT-MATERIAL: PHOS. BRONZE, AMP 100-255.
- 3 LATCH-MATERIAL: BRASS, AMP 100-86 NICKEL PLATE 0.00127[.000050] MIN PER AMP SPEC 112-25-1.
- 4 CONTACT-PLATE: 0.00508[.000200] MIN MATTE TIN OVER 0.00127[.000050]MIN NICKEL.
- 5. IN ADDITION TO THOSE RECOMMENDED "SIMM" P. C. BOARD DIMENSIONS AND TOLERANCES SHOWN, ALL JEDEC SPECIFICATIONS APPLY AS SHOWN ON MO-116, ISSUE A.
- 6. RECOMMENDED MATING S.I.M.M. TAB METALLURGY: BASE METAL-COPPER. PLATING TO BE 0.00762[.000300] MIN TIN/LEAD OVER 0.00127[.000050] MIN NICKEL.
- 7 DATE CODE: (YEAR WEEK) XXXX FORMAT, LOCATED APPROXIMATELY AS SHOWN ON OPPOSITE SIDE.



RECOMMENDED P.C. BOARD HOLE PATTERN SOCKET SIDE

111.76[4.400]	115.32[4.540]	44.45[1.750]	95.25[3.750]	72	5822019-4
D	C	B	A	NO. OF POS	PART NO
THIS DRAWING IS A CONTROLLED DOCUMENT.		DWN S. WAITMAN	SJANOS	tyco Tyco Electronics Corporation Harrisburg, PA 17105-3608	
DIMENSIONS: mm [INCHES]		CHK M. YFOMANS	SJANOS	APVD	
TOLERANCES UNLESS OTHERWISE SPECIFIED:		NAME			
0 PLC	± -	PRODUCT SPEC			
1 PLC	± -	APPLICATION SPEC			
2 PLC	± -	SIZE			
3 PLC	± 0.13[.005]	CAGE CODE			
4 PLC	± -	DRAWING NO			
ANGLES	± -	RESTRICTED TO			
MATERIAL	FINISH	WEIGHT		A1 00779 C=5822019	
CUSTOMER DRAWING		SCALE 4:1		SHEET 1 OF 2 REV B	



53.98[2.125]	107.95[4.250]	101.19[3.984]	44.45[1.750]	95.25[3.750]	72
G	F	E	D	C	NO. OF POSN
RECOMMENDED "SIMM" P.C. BOARDS					

THIS DRAWING IS A CONTROLLED DOCUMENT.		DWG: S. WAITMAN	DATE: SJANOS	Tyco Electronics Corporation Harrisburg, PA 17105-3608
DIMENSIONS: mm [INCHES]		CHK: M. YFOMANS	APVD: -	
TOLERANCES UNLESS OTHERWISE SPECIFIED:		PRODUCT SPEC		CONNECTOR, MICRO-EDGE, .050q VERTICAL, TIN PLATE, METAL LATCH
0 PLC ± -		APPLICATION SPEC		
1 PLC ± -		SIZE		RESTRICTED TO
2 PLC ± -		CAGE CODE		
3 PLC ± 0.13[0.005]		DRAWING NO		A1 00779 C=5822019
4 PLC ± -		WEIGHT		
ANGLES ± -		CUSTOMER DRAWING		SCALE: 4:1
FINISH SEE SHEET 1		SHEET 2 OF 2		REV B